

**REFERENCE :** KI0288

**SIZES :** U

**COMPOSITION :**

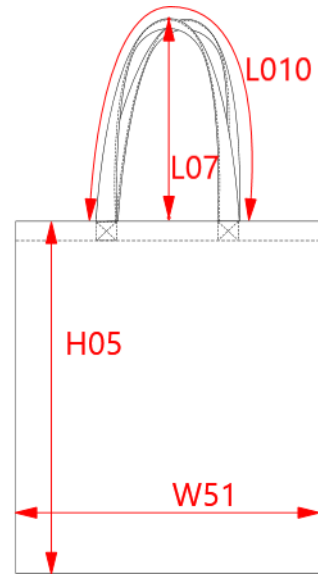
Fabric 1 : Organic cotton woven - 130 OCS100 certified 100% organic cotton

**TECHNICAL DETAIL :**

OCS certified

**ARTICLE WEIGHT :**

70 gr/pc



DESCRIPTION								COLORS		PANTONE SERIGRAPHIE		
<b>Français :</b> Sac shopping en coton biologique								Black	Black			
<b>English :</b> Organic cotton shopping bag								Natural	7534C			
<b>Nederlands :</b> Shopper van biologisch katoen								Metal grey	409C			
<b>Deutsch :</b> Shoppingtasche aus Bio-Baumwollcanvas								Ice mint	573C			
<b>Español :</b> Bolsa de compras algodón orgánico								Navy blue	433C			
<b>Italiano :</b> Shopper in cotone biologico								Hibiscus red	1815C			
<b>Português :</b> Saco de compras em algodão biológico								Curcuma	146C			
MEASUREMENT												
Description	U											
<b>H05</b> Hauteur totale / Total height	42											
<b>W51</b> Total width	38											
<b>L07</b> Height of shoulder handles	32											
<b>L010</b> Longueur bande épaule / Total length of handle	68											
PACKING												
Box	200 pcs / box											
	U =>L:45cm W:38cm H:35cm GW:13,8kg NW:12,6kg											