

# KARIBAN

**REFERENCE :** K650

**SIZES :** S\_M\_L\_XL\_XXL\_3XL\_4XL

**COMPOSITION :**

Fabric 1 : 3 layers Softshell (Plain weave/Micropolar fleece)  
Polyester / Elastane 95/5 - 300 .

Lining : Polyester 210T - 60 For quilted body and hood lining,  
hood tunnel and sleeve lining 100%polyester

Lining 2 : Polyester polytricot - 120 For pocket sacks and inner  
front placket. 100%polyester

Padding : Polyfil 120 For quilted body lining 100%polyester

Padding : Polyfil 100 For quilted sleeve lining 100%polyester

**WEIGHT :**

Fabric 1 : 300 gsm

Lining : 60 gsm

Lining 2 : 120 gsm

Padding : 120 gsm

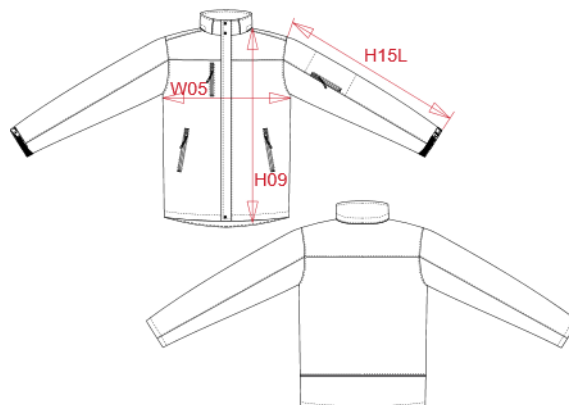
Padding : 100 gsm

**TECHNICAL DETAIL :**

BR: 3000gsm/24h / WP: 8000mm

**ARTICLE WEIGHT :**

1200 gr/pc



DESCRIPTION
<b>Français :</b> Parka softshell doublée capuche homme
<b>English :</b> Men's hooded softshell lined parka
<b>Nederlands :</b> Gewatteerde softshell herenparka met capuchon
<b>Deutsch :</b> Herrenparka Softshell wattiert mit Kapuze
<b>Español :</b> Parka Softshell forrada con capucha para hombre
<b>Italiano :</b> Parka uomo softshell imbottito con cappuccio
<b>Português :</b> Parka Softshell acolchoada de homem com capuz

COLORS	PANTONE SERIGRAPHIE
Black	Black
Navy	433C
Titanium	7540C

MEASUREMENT							
Description	S	M	L	XL	XXL	3XL	4XL
<b>H09 (M)</b> Hauteur totale devant / Front total height	72	74	76	78	80	82	84
<b>W05 (M)</b> 1/2 largeur poitrine à 1.5cm de l'emmanchure / 1/2 chest width at 1.5cm below armhole	55	58	61	64	67	70	73
<b>H15L (M)</b> Longueur manche longue / Long sleeve length	66	67,50	69	70,50	72	73,50	75

CARE LABEL

PACKING	
Box	10 pcs/box S =>L:60cm W:40cm H:40cm NW:10.6kg GW:12.8kg M =>L:60cm W:40cm H:40cm NW:11.3kg GW:13.5kg L =>L:60cm W:40cm H:40cm NW:12kg GW:14.2kg XL =>L:60cm W:40cm H:40cm NW:12.8kg GW:15kg XXL =>L:60cm W:40cm H:40cm NW:13.5kgGW:15.6kg 3XL =>L:60cm W:40cm H:40cm NW:14.1kg GW:16.2kg 4XL =>L:60cm W:40cm H:40cm NW:14.7kg GW:16.8kg