

**REFERENCE :** KI0223

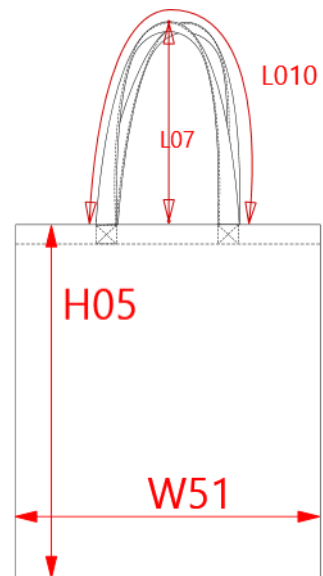
**SIZES :** U

**COMPOSITION :**

Fabric 1 : Cotton woven - 130 100%cotton

**ARTICLE WEIGHT :**

60 gr/pc



DESCRIPTION								COLORS		PANTONE SERIGRAPHIE	
<b>Français</b> : Sac shopping anses courtes								Black		Black	
<b>English</b> : Short handle shopper								Burnt lime		583C	
<b>Nederlands</b> : Short handle shopper								Natural		7534C	
<b>Deutsch</b> : Shopper mit kurzen Trageschlaufen								White		White	
<b>Español</b> : Bolsa shopper con asas cortas								Royal blue		287C	
<b>Italiano</b> : Shopper in cotone								Navy		433C	
<b>Português</b> : Saco com alça curta								Dark grey		447C	
MEASUREMENT								Red		1795C	
Description				U	Orange		1495C				
					Pink		218C				
					Turquoise		320C				
PACKING								Kelly green		7727C	
Box	200 pcs / box							Yellow		109C	
	U => L:45cm W:38cm H:35cm GW:13,8kg NW:12,6kg							Cool grey		Cool gray 1C	
								Burnt orange		1675C	
								Dark pink		494C	
								Spicy orange		1665C	
								Wine		504C	
								Cherry red		7427C	
								Magenta		205C	
								Radiant orchid		688C	
								Delphinium blue		549C	
								Pistachio green		358C	
								Light violet		666C	
								Iris blue		7545C	
								Arandano red		7622C	
								Cumin yellow		7510C	
								Marsala		4995C	
								Blue turquoise		563C	
								Dusty light green		5615C	
								Lagoon		7688C	
								Ice mint		573C	
								Curcuma		146C	
								Wet sand		7536C	